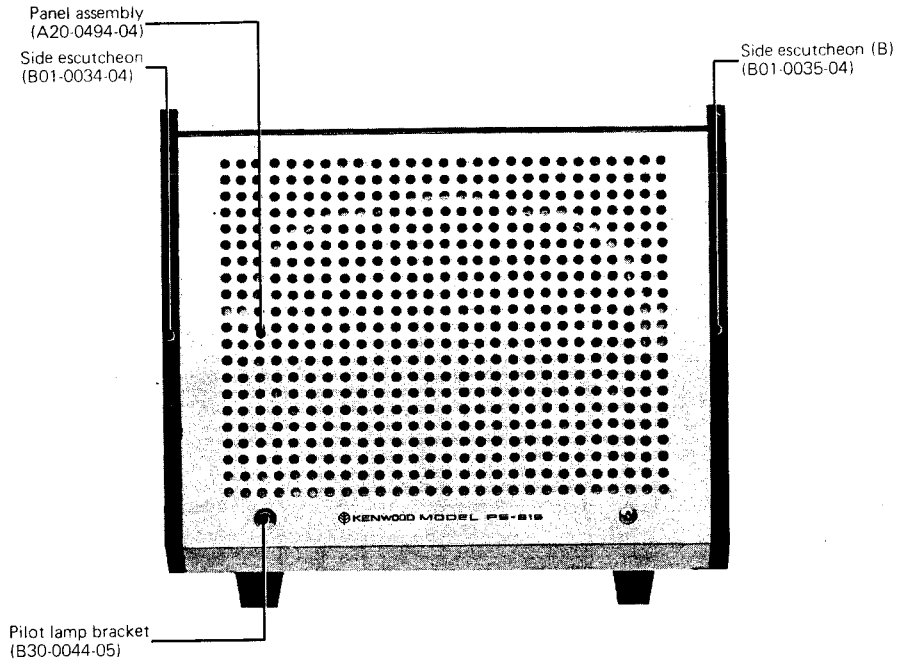
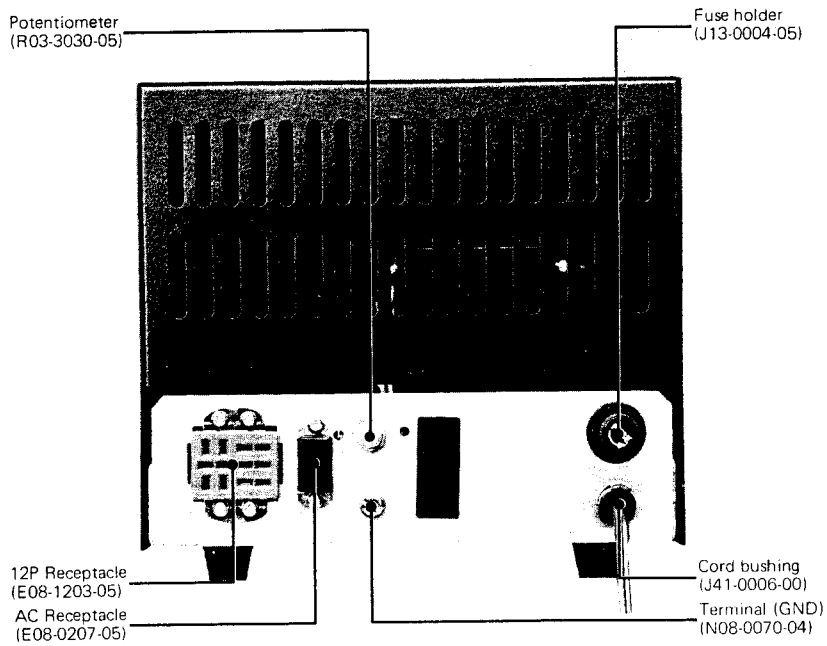


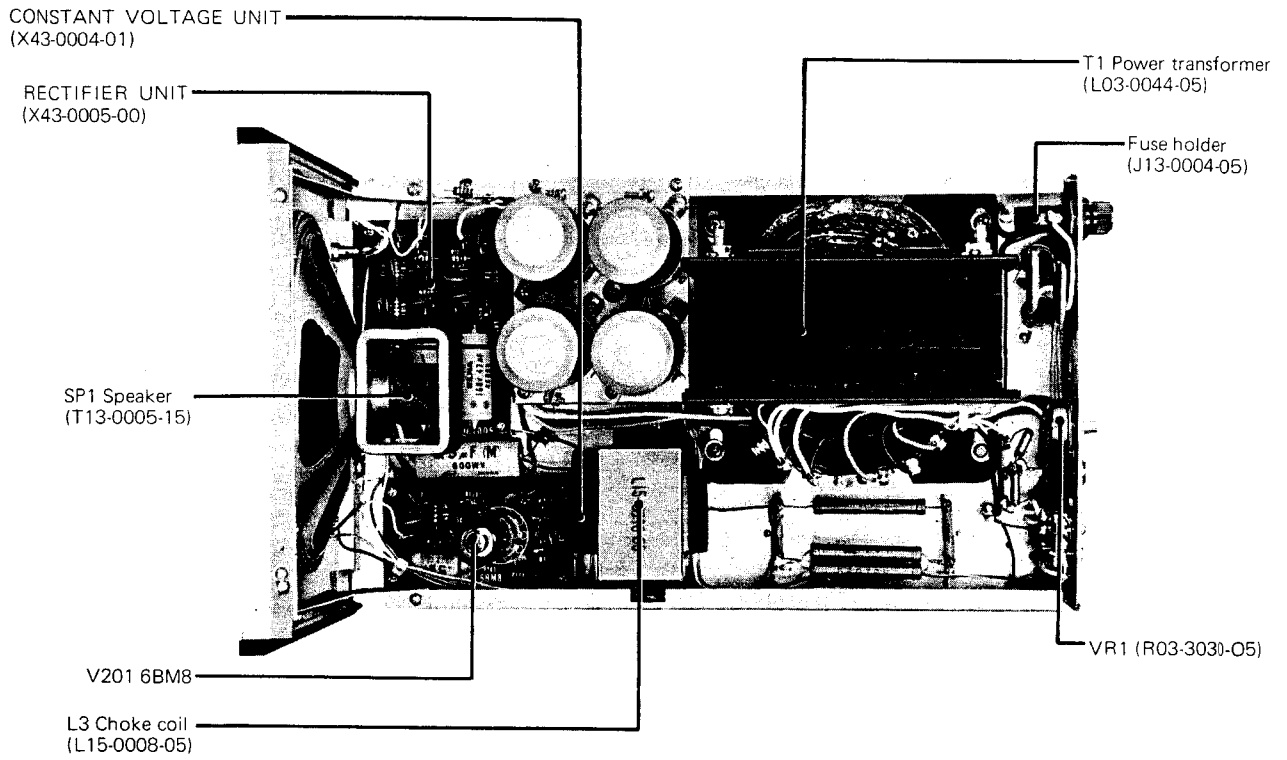
■ PS-515 EXTERNAL VIEW (FRONT)



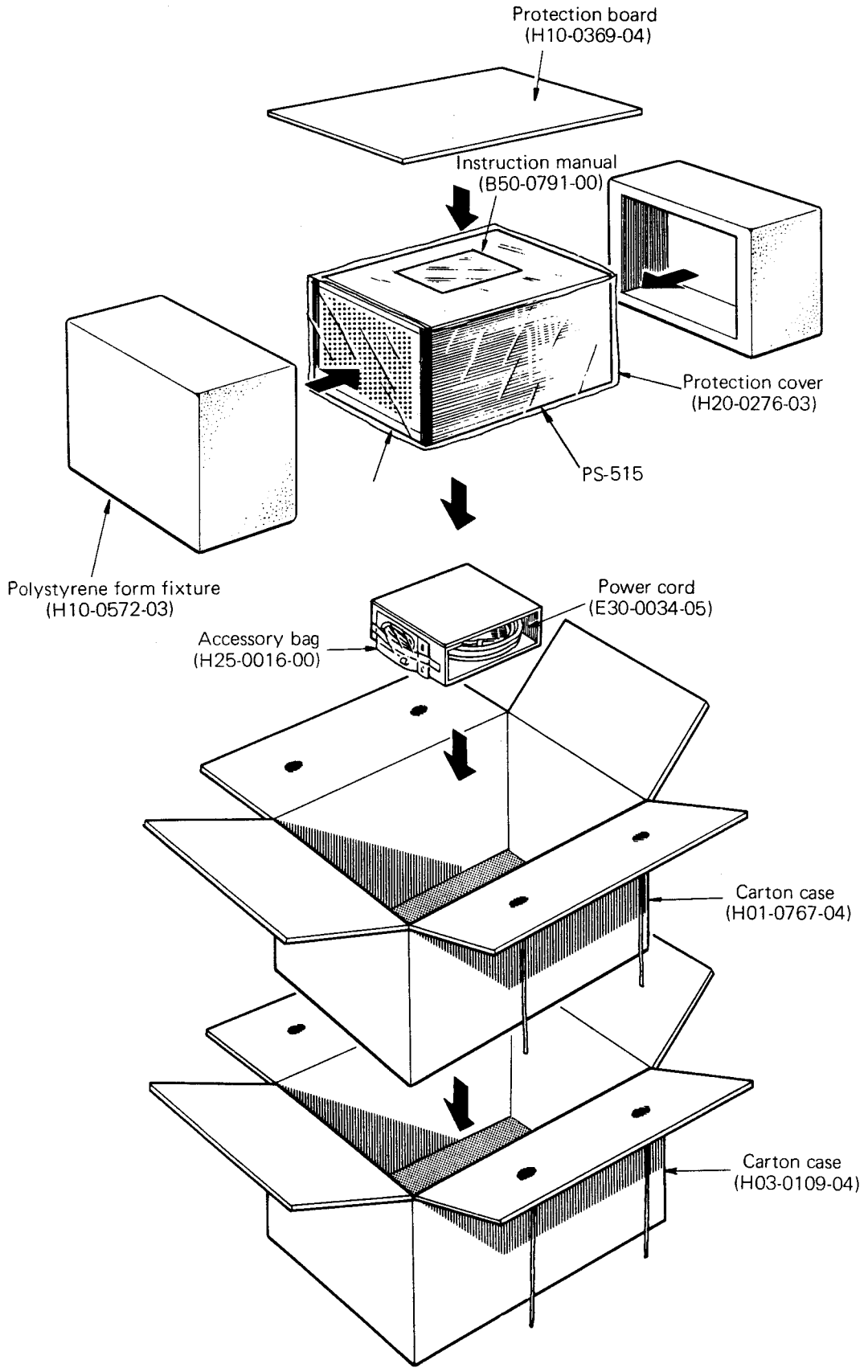
■ PS-515 EXTERNAL VIEW (REAR)



■ PS-515 CHASSIS VIEW (TOP)



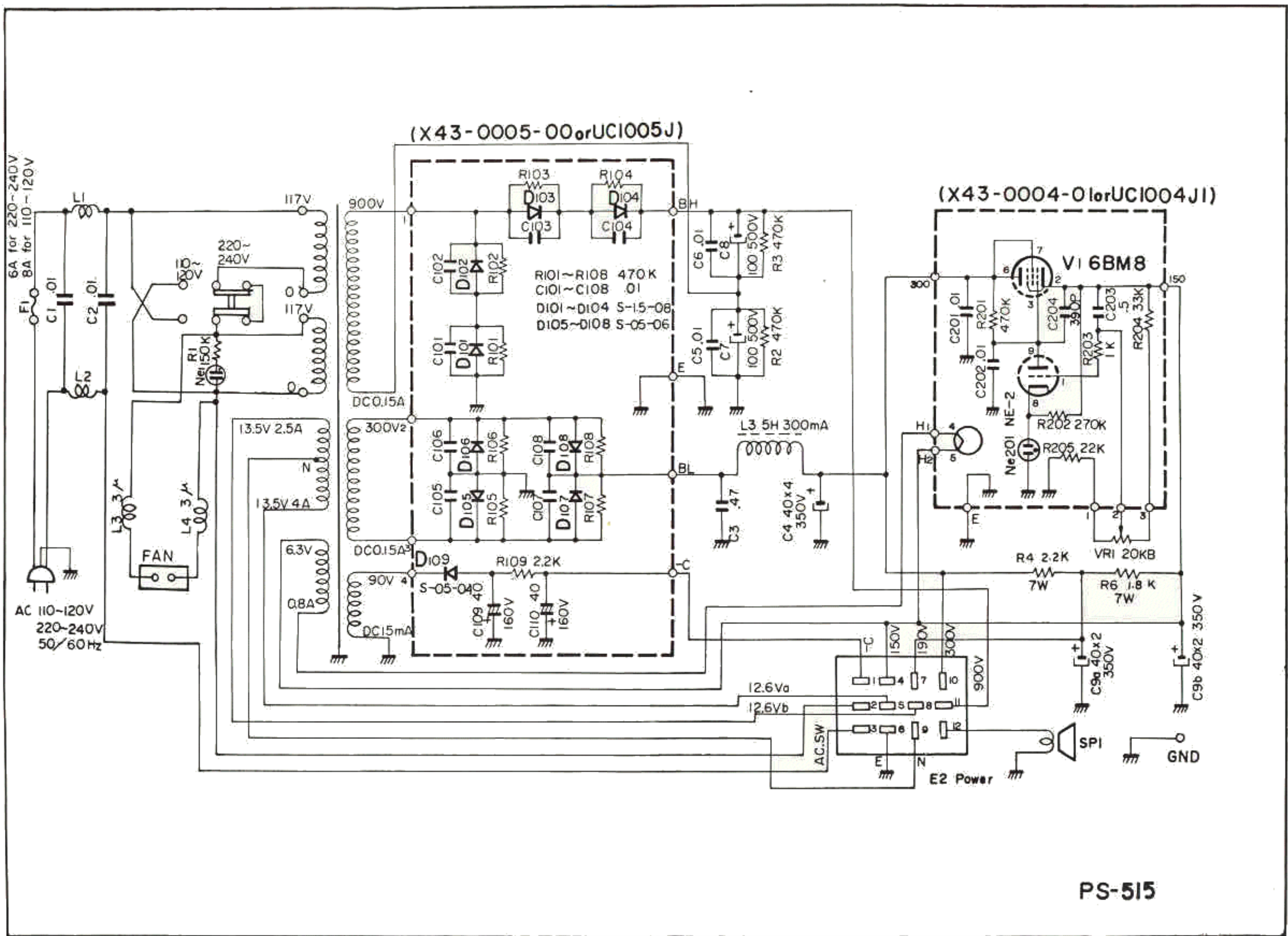
■ PACKING PS-515



■ PARTS LIST OF PS-515 (Y56-0011-07)

Circuit No.	Parts No.	Description	Remarks
<b>UNIT</b>			
—	X43-0004-01	Constant voltage unit	
—	X43-0005-00	Rectifier unit	
<b>CAPACITOR</b>			
C1, 2	CK94YY3A103M	Ceramic	0.01 $\mu$ F $\pm$ 20%
C3	CP02B2J474M	Oil filled	0.47 $\mu$ F $\pm$ 20%
C4	CE62AD2V400X4	Electrolytic block	40 $\mu$ F 350WV
C5, 6	CK94YZ2H103P	Ceramic	0.01 $\mu$ F +100% -0%
C7, 8	CE62AD2H101	Electrolytic block	100 $\mu$ F 500WV
C9	CE62AD2V400X4	Electrolytic block	40 $\mu$ F 350WV
<b>RESISTOR</b>			
R1	RC05GF2H154K	Carbon composition	150k $\Omega$ $\pm$ 10% 1/2W
R2, 3	RC05GF2H474K	Carbon composition	470k $\Omega$ $\pm$ 10% 1/2W
R4	RN14AB3T222J	Metal film	2.2k $\Omega$ $\pm$ 5% 7W
R6	RN14AB3T182J	Metal film	1.8k $\Omega$ $\pm$ 5% 7W
<b>COIL</b>			
L1, 2	L33-0029-05	Line filter	
L3	L15-0008-05	Choke coil	
L4, 5	L33-0032-05	Heater choke	
<b>MISCELLANEOUS</b>			
—	A01-0133-03	Case	
—	A20-0494-03	Panel assembly	
—	A40-0072-12	Bottom plate	
—	B01-0034-04	Side escutcheon (A)	
—	B01-0035-04	Side escutcheon (B)	
N1	B30-0044-05	Pilot lamp holder	
—	B42-0009-04	Passed sticker	
—	B50-0791-00	Instruction manual	
—	B58-0003-00	Power voltage caution card	
—	B58-0101-00	Power voltage caution card	
E1	E08-0207-05	AC receptacle	
E2	E08-1203-05	12P receptacle	
—	E08-1207-05	12P receptacle	
—	E09-1201-05	12P plug socket	
—	E30-0034-05	Power cord	
F1	F04-6021-05	Fuse (6A)	
—	F05-8021-05	Fuse (8A)	
—	H01-0767-04	Carton case	
—	H03-0109-04	Carton case	
—	J02-0005-04	Sub legs x 2	
—	J02-0010-04	Legs x 4	
—	J13-0004-05	Fuse holder	
—	J19-0006-04	Switch stopper	
—	J21-0723-04	Electrolytic block stopper	
—	J21-0724-23	Speaker stopper	
T1	L03-0044-05	Power transformer	
—	N08-0070-04	Terminal	
VR1	R03-3030-05	Potentiometer 20k $\Omega$ (B)	
—	S59-2017-05	Selector switch	
SP1	T13-0005-15	Speaker	





NOTE: We reserve the right to make modifications in this model in accordance with technical developments.